

Flexible

MOMO Flex Fixture Guide

KKDC

Indoor/Outdoor | Surface | Output up to 1463lm/m (446lm/ft)

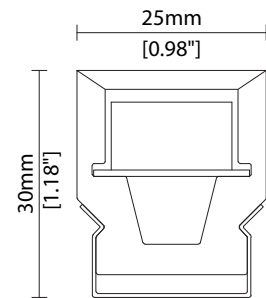


Key applications

- ✓ Architectural detail
- ✓ Backlighting & signage
- ✓ Bathrooms
- ✓ Building façades
- ✓ Cabinet & furniture
- ✓ Cove lighting
- ✓ Direct lighting
- ✓ Display case
- ✓ Exterior
- ✓ Gardens
- ✓ Hand rail
- ✓ Interior
- ✓ Public spaces
- ✓ Wall grazing
- ✓ Window reveal
- ✓ Wet area

Key features

- ✓ Custom lengths
- ✓ Constant Voltage (CV)
- ✓ Continuous light runs
- ✓ Decorative
- ✓ Diffusion: spoting
- ✓ IP66 water resistant
- ✓ Lens options



MOUNTING METHODS



Alloy linear flex-clip



KKCH-03 Fixed linear aluminium rail

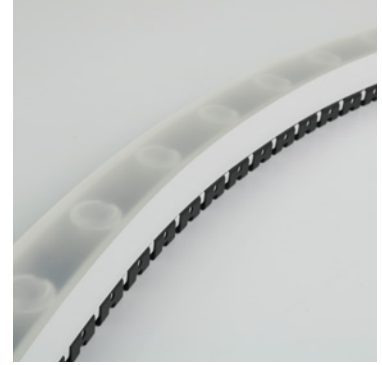
Flexible

MOMO Flex

Specification sheet



Dimensions	H30/W28/L530-1030mm (H1.10/W1.18/L20.87-40.55in)
LED Pitch	41.5mm-24LED/m (1.64in - 7LED/ft)
Cover/Optics	25° / 35° / 20°x45° Spread lens / 20°x55° Spread lens
CCT	2700K/3000K/4000K/6000K
LED binning	3-step MacAdam ellipse
CRI	≥90
Lifetime	36,000 hours @ 25°C (36,000 hours @ 77°F)
Operating temp	T _a = -25 to 55°C T _a = -13 to 131°F
IP Rating	IP66
Finish	White
Mounting	Surface Mounting via alloy linear flex-clip or fixed linear aluminium rail
Min bend radius	Horizontal: >400mm (>15.75in) / Vertical: >300mm (>11.81in) / Twist: >500mm (>19.69in)
Power feed	Male/female connectors
Control	PWM/1-10V/DALI

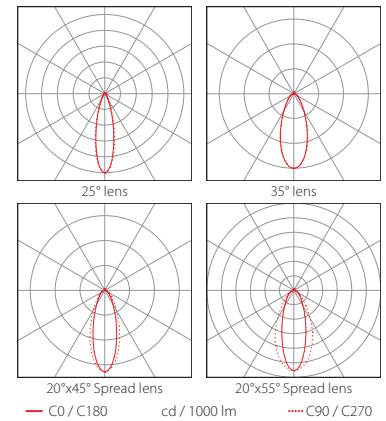
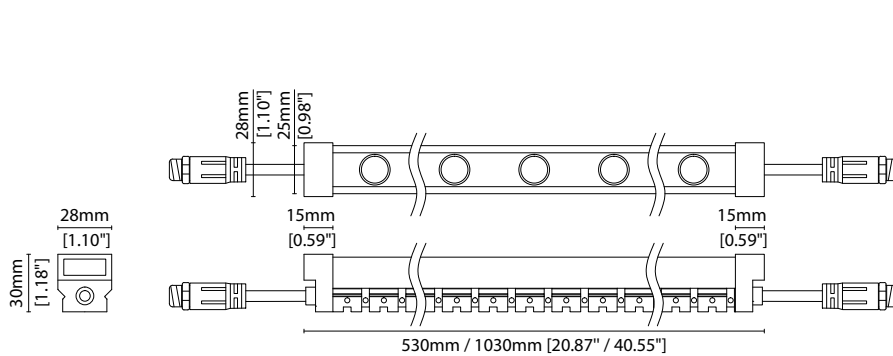


Power consumption	Supply voltage	Supply current
18W/m (5.49W/ft)	24V DC	0.71A/m (0.22A/ft)

Performance Data (3000K)

R1	R2	R3	R4	R5	R6	R7	R8	R9	R10	R11	R12	R13	R14
91	93	92	91	91	90	92	83	61	83	91	78	91	95

25°	35°	20°x45°	20°x55°	CRI	R9	Rf	Rg
1463lm/m (446lm/ft) 81.3lm/W	1366lm/m (416lm/ft) 75.9lm/W	1332lm/m (406lm/ft) 74lm/W	1246lm/m (380lm/ft) 69.2lm/W	90	61	-	-



Data derived from independent UKAS / IESNA LM-79-08 accredited testing of production samples.

Flexible

MOMO Flex

Code Table

KKDC

FIXTURE

Model	Cover	LED	Colour (CCT)	Length Availability ¹	IP	Cable Length	Power Feed	Lens	Input										
MOMO Flex	MX	Clear	B	0918	0918	2700K	27	m	530mm 1030mm	IP66	66	150mm/5.91"	0150	Single ø6.3mm sheath IP66 connector	S66B	25°	25	DC 24V	g
						3000K	30									35°	35		
						4000K	40	i	19.69in 40.55in					Double ø6.3mm sheath IP66 connector	D66B	20° x 45°	2045		
						6000K	60									20° x 55°	2055		

¹ Refer to **Length Availability List** or enter total run length instead of length code

Code Example:

MX	-	B	-	0918	-	27	-	m	1030	-	66	-	0150	-	D66B	-	25	-	g
MOMO Flex		Clear		0918		2700K			1030mm		IP66		150mm/5.91"		Double ø6.3mm sheath IP66 connector		25°		DC 24V

ACCESSORIES

Mounting Accessories

KKCH-03 Aluminium channel

* Refer to **Mounting accessories** on **Accessories** pages

PSU/Driver

0-10V/1-10V/DALI/DMX

* Refer to **Driver/PSU Options** page for details or provide requirement and KKDC to offer the suitable option

Flexible

MOMO Flex

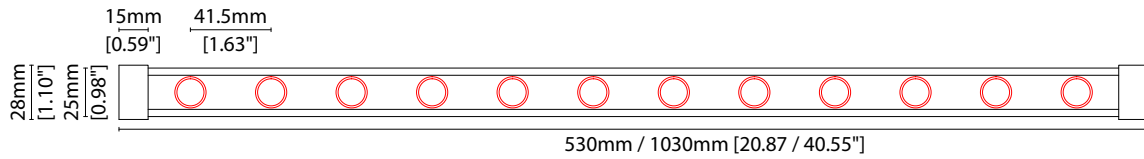
Length Availability List



Length Code		Fixture Length ¹		LED Strip ²		End Cap Dimension		Wattage (W)	Output (lm)
Metric	Imperial(US)	Metric	Imperial(US)	Metric	Imperial(US)	Metric	Imperial(US)		3000K (Test Data)
m0530	i0021	530mm	20.87in	500mm	19.69in	N/A	N/A	9.00	732
m1030	i0041	1030mm	40.55in	1000mm	39.37in	N/A	N/A	18.00	1463

¹ Actual total overall length of light fixture (LED strip + end caps + void/wire hole)

² Actual length of PCB strip



Flexible

MOMO Flex Accessories

KKDC

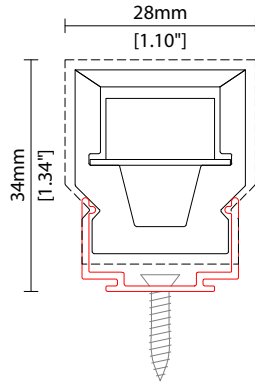
MOUNTING ACCESSORIES

Note: Accessories are to be ordered separately with corresponding code shown below.



KKCH-03

Fixed linear aluminium rail



EXTERIOR JUNCTION BOXES



KKJB-07

IP67 Slim J-Box
(including type A,B,C,D bushings)



KKJB-07R

Potting resin for IP67 Slim J-Box

Flexible

MOMO Flex Accessories

KKDC

KKDC CONTROL



IP20
Plastic housing
L170/W59/H29mm
(L6.69/W2.32/H1.14in)

KKDM-06 1-10V
visDIM dimmable sub-controller
(4 x 8A max @ 12-36V)



IP20
Plastic housing
L170/W53.4/H28mm
(L6.69/W2.10/H1.10in)

KKSC-05 DMX
visDIM dimmable sub-controller
(4 x 5A max @ 12-36V)



IP20
Plastic housing
L170/W59/H29mm
(L6.69/W2.32/H1.14in)

KKDL-02 DALI
visDIM dimmable sub-controller
(4 x 8A max @ 12-36V)



IP20
Plastic housing
L166/W53.4/H23mm
(L6.54/W2.10/H0.91in)

KKDL-03 DALI
visDIM dimmable sub-controller
(4 x 5A max @ 12-36V)

AVAILABLE PSU OPTIONS

Control Mode	PSU (Order Code)	Input Voltage AC	Output Voltage DC	Rated Output Current	Rated Power	Dim %	IP Rating
Switched	CEN-60-24	90-295V	24V	2.5A	60W	-	IP67
	HLG-60H-24	90-305V	24V	2.5A	60W	-	IP67
	HLG-100H-24	90-305V	24V	4.0A	100W	-	IP67
	HLG-150H-24	90-305V	24V	6.3A	150W	-	IP67
	HLG-240H-24	90-305V	24V	10A	240W	-	IP67
0-10V (1-10V)	PWM-40-24	90-305V	24V	1.67A	40W	100-0.15 (100-10)	IP67
	PWM-60-24	90-305V	24V	2.5A	60W	100-0.15 (100-10)	IP67
	PWM-90-24	90-305V	24V	3.67A	90W	100-0.15 (100-10)	IP67
	PWM-120-24	90-305V	24V	5.0A	120W	100-0.15 (100-10)	IP67
DALI	LIN100A1	120-277V	24V	1A per channel	100W	100-0.1	IP66/IP40
DMX RGB	LIN100A1	120-277V	24V	1.33A per channel	100W	100-0.1	IP66/IP40
DMX RGBW	LIN100A1	120-277A	24V	1A per channel	100W	100-0.1	IP66/IP40

Flicker Free Options - Combination of PSU+ sub-controller

Control Mode	PSU (Order Code)	Sub-controller (Order Code)	Input Voltage AC	Output Voltage DC	Rated Output Current	Rated Power	Dim %	IP Rating PSU/ Sub-controller
0-10V or 1-10V	CEN-60-24	KKDM-06	90-295V	24V	2.5A	60W	100-0.9	IP67/IP20
	HLG-60H-24	KKDM-06	90-295V	24V	2.5A	60W	100-0.9	IP67/IP20
	HLG-100H-24	KKDM-06	90-295V	24V	4.0A	100W	100-0.9	IP67/IP20
	HLG-150H-24	KKDM-06	90-295V	24V	6.3A	150W	100-0.9	IP67/IP20
	HLG-240H-24	KKDM-06	90-295V	24V	10.0A	240W	100-0.9	IP67/IP20
DALI	CEN-60-24	KKDL-02/03	90-295V	24V	2.5A	60W	100-0.1	IP67/IP20
	HLG-60H-24	KKDL-02/03	90-305V	24V	2.5A	60W	100-0.1	IP67/IP20
	HLG-100H-24	KKDL-02/03	90-305V	24V	4.0A	100W	100-0.1	IP67/IP20
	HLG-150H-24	KKDL-02/03	90-305V	24V	6.3A	150W	100-0.1	IP67/IP20
	HLG-240H-24	KKDL-02/03	90-305V	24V	10.0A	240W	100-0.1	IP67/IP20
DMX RGB	CEN-60-24	KKSC-05	90-295V	24V	2.5A	60W	100-0.9	IP67/IP20
	HLG-60H-24	KKSC-05	90-305V	24V	2.5A	60W	100-0.9	IP67/IP20
	HLG-100H-24	KKSC-05	90-305V	24V	4A	100W	100-0.9	IP67/IP20
	HLG-150H-24	KKSC-05	90-305V	24V	6.3A	150W	100-0.9	IP67/IP20
	HLG-240H-24	KKSC-05	90-305V	24V	10.0A	240W	100-0.9	IP67/IP20

¹ The items shown above cover the most frequently used specification but does not exhaust the possible options

² PSU and/or driver can be chosen from the table, or KKDC may recommend the best option upon receipt of the controls requirement and installation environment

³ Electrical shop drawing will include detailed information of PSU and relevant control drivers

⁴ Cut sheets are available on the controls section of www.kkdc.lighting or upon request